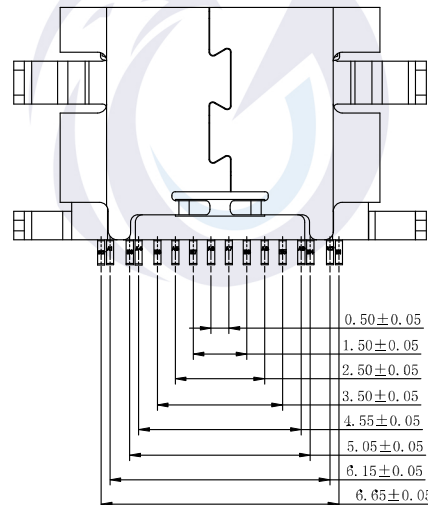
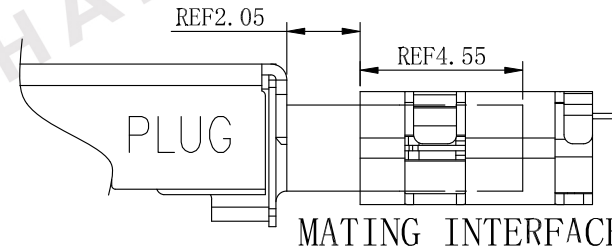
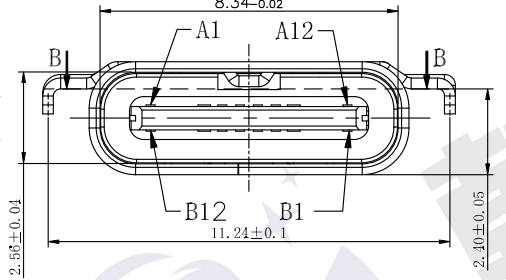
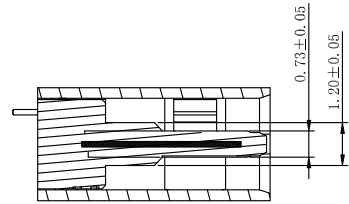
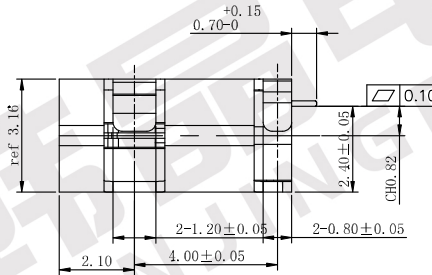
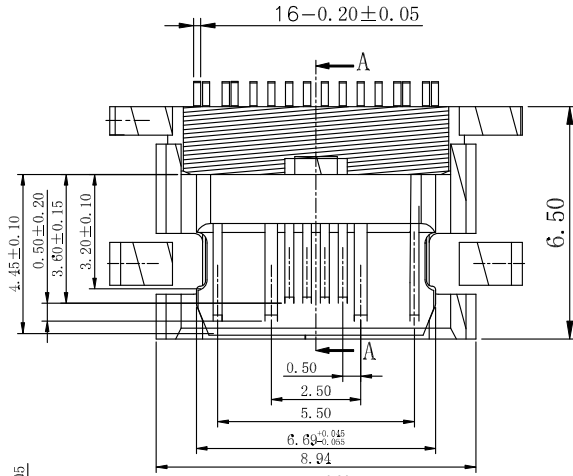
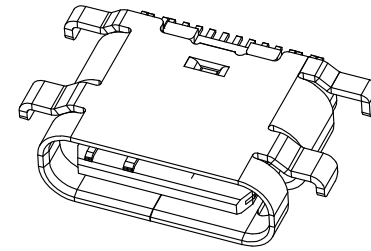


REV.	DESCRIPTION	NAME	DATE

NOTE:

- MATERIAL SPECIFICATION:
 - HOUSING: HIGH TEMPERATURE RESISTANT PLASTIC, LCP UL94 V-0.
 - CONTACTS: COPPER ALLOY C2680
 - SHELL MID PLATE: STAINLESS STEEL SUS304
- PLATING SPECIFICATION:
 - CONTACTS:
 - Ni 50μ" MIN. UNDER PLATED OVER ALL.
Au PLATED ON THE FUNCTIONAL AREA OF CONTACT.
(GOLD PLATING THICKNESS FOLLOW THE P/N)
GOLD FLASH PLATING ON SOLDER AREA
 - FRONT SHELL:
 - Ni 30μ" MIN. UNDER PLATED OVER ALL.
- MECHANICAL PERFORMANCE:
 - INSERTION FORCE: 0.5~2.0kgf.
 - REMOVAL FORCE: 0.8kgf~2.0kgf.
 - DURABILITY: 10000 CYCLES.
- ELECTRICAL PERFORMANCE:
 - CURRENT RATING: 5A
VOLTAGE RATING: 20V
 - INSULATION RESISTANCE: 100MΩ MIN
 - CONTACT RESISTANCE: 30mΩ MAX
 - DIELECTRIC WITHSTAND VOLTAGE, AC 100V FOR 1 MINUTE.
- ENVIRONMENTAL PERFORMANCE:
 - OPERATING TEMPERATURE: -30° C~+85° C.
- IR REFLOW:
 - THE PEAK TEMPERATURE ON THE BOARD SHALL BE MAINTAINED FOR 10 SECONDS AT 260° C.
- ROHS REACHER.



TOLERANCE UNSPECIFIED

.0	±0.35
.00	±0.25
.000	±0.15
X.°	±2.00°

CUSTOMER DRAWING



东莞市韩晶电子有限公司

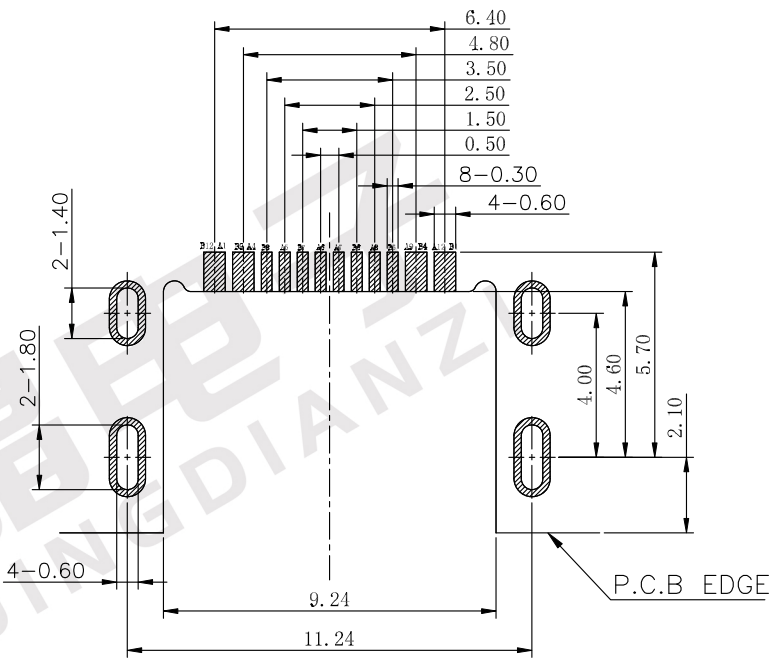
TITLE: TYPE-C 16P 母座L=6.5沉板2.4 (CH=0.82mm)

DRAWN DATE	LXF	SIZE:A4	UNIT:mm.	PART. NO:	UC.01.31-IN-0002	
CHECKED DATE	LYX	SCALE:	1:1	PROJECTION		REV.: 1
APPROVED DATE	LJP	DWG PATH		9999-9	PATH 1/3	


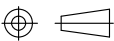
REV.	DESCRIPTION	NAME	DATE

USB TYPE-C PIN ASSIGNMENTS

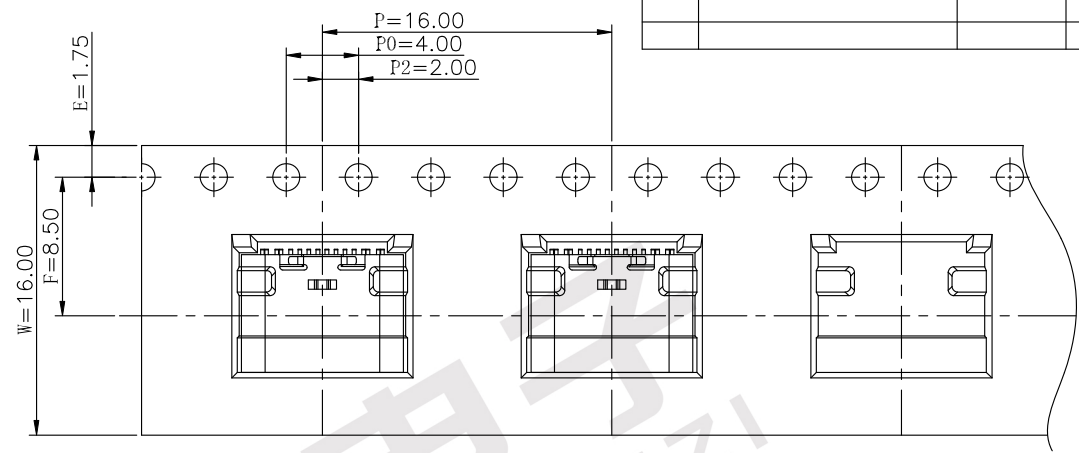
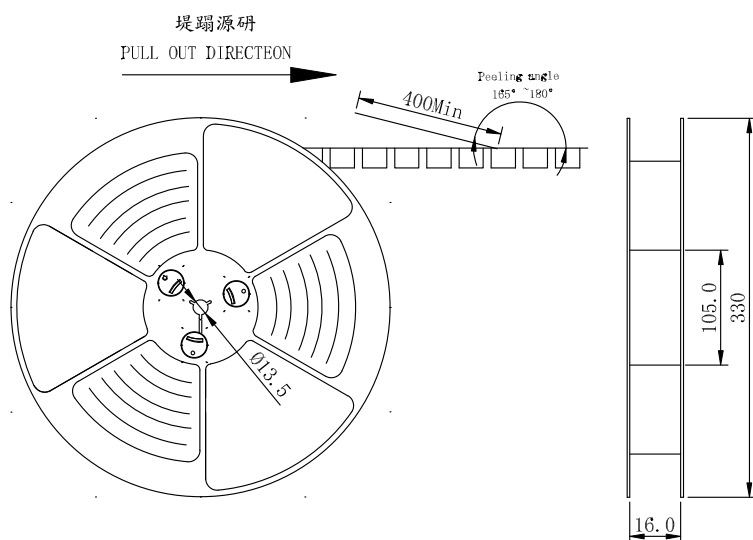
PIN NUMBER	SIGNAL NAME	PIN NUMBER	SIGNAL NAME
A1	GND	B12	GND
A4	VBUS	B9	VBUS
A5	CC1	B8	SBU2
A6	Dp1	B7	Dn2
A7	Dn1	B6	Dp2
A8	SBU1	B5	CC2
A9	VBUS	B4	VBUS
A12	GND	B1	GND



RECOMMEND P. C. B LAYOUT (COMPONENT SIDE)
 TOLERANCE FOR PCB LAYOUT IS ± 0.05

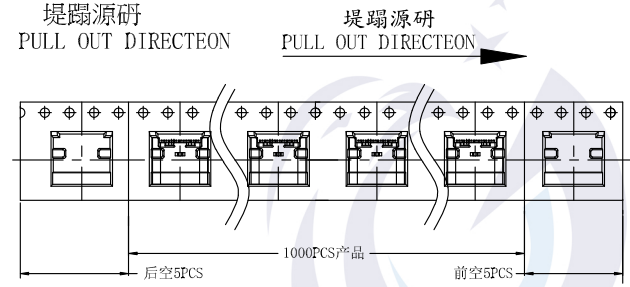
TOLERANCE UNSPECIFIED .0 ±0.35 .00 ±0.25 .000 ±0.15 X. ° ±2.00° CUSTOMER DRAWING		 东莞市韩晶电子有限公司	
DRAWN DATE: LXF		TITLE: TYPE-C 16P 母座L=6.5沉板2.4 (CH=0.82mm)	
CHECKED DATE: LYX	SIZE: A4	UNIT: mm.	PART. NO: UC.01.31-1N-0002
APPROVED DATE: LJP	SCALE: 1:1	PROJECTION 	REV.: 1
	DWG PATH	9999-9	PATH 2/3

REV.	DESCRIPTION	NAME	DATE



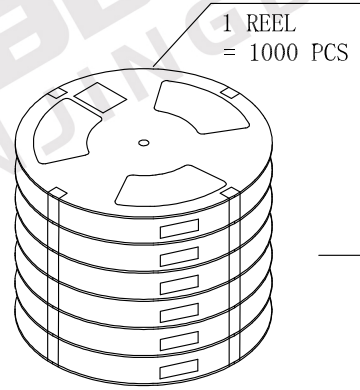
NOTES

1. 越詢擇僅
LEAD TAPE LENGTH
堤躑源研
PULL OUT DIRECTEON

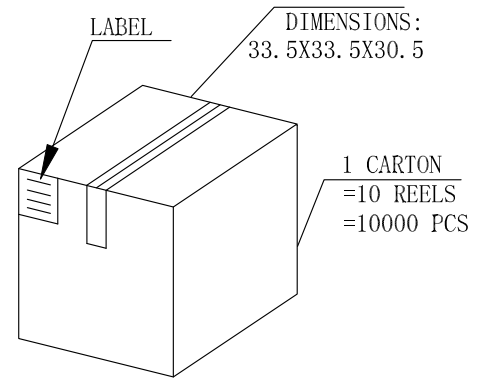


2. 上帶 剝力力為: 0.1~1.3N(10.2gf~130gf)
PEELING OFF FORCE OF TOP TAPE:0.1~1.3N(10.2gf~130gf)
出貨運輸過程中一定注意:
THIS REQUIREMENT SHOULD BE APPLIED AT SHIPMENT:
卷帶在運輸過程中不能散開
PEELING OFF SHOULD NOT BE ALLOWED DURING TRANSPORTATION

TAPE & REEL 10 PCS




BOX

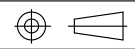


包裝明細表 (The detail of the packing) Carton						
產品料號 (Product No.)	包裝容量 (Packing Capacity)			重量 Weight (Kg)		
	pcs/box	boxes/Carton	Pcs/Box	N. W. /Pcs	N. W. /Box	G. W. /Box
	1000	10	10000	---	---	---

TOLERANCE UNSPECIFIED	
.0	±0.35
.00	±0.25
.000	±0.15
X. °	±2.00°
CUSTOMER DRAWING	
DRAWN/ DATE	LXF
CHECKED/ DATE	LYX
APPROVED/ DATE	LJP

 **东莞市韩晶电子有限公司**

TITLE: TYPE-C 16P 母座L=6.5沉板2.4 (CH=0.82mm)

SIZE:A4	UNIT:MM.	PART. NO:	UC. 01. 31-1N-0002
CHECKED/ DATE	SCALE: 1:1	PROJECTION	 REV.: 1
APPROVED/ DATE	DWG. PATH	9999-9	SHEET: 3/3