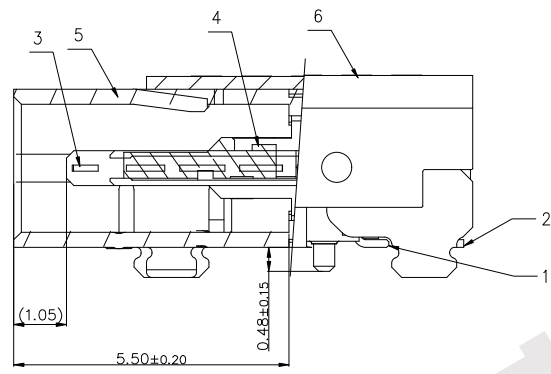
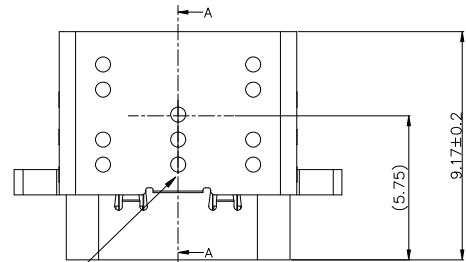


GP Component

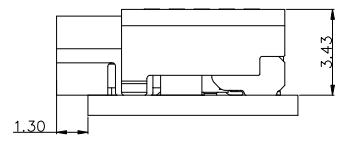
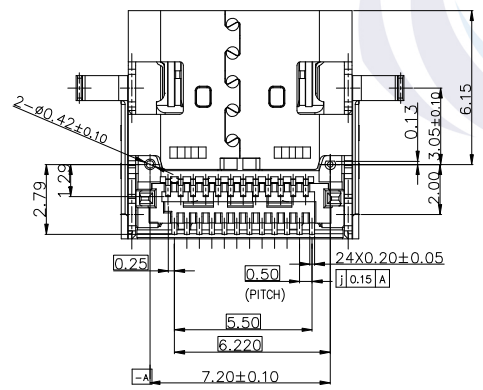
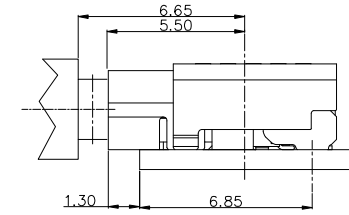
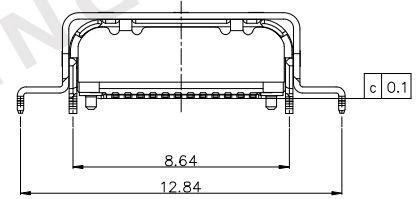
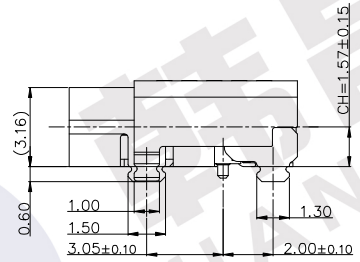
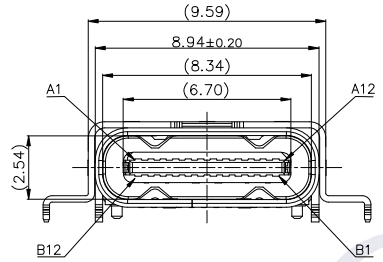
REV.	ECN NO.	LOCATIONS	DESCRIPTION	DATE	DESIGN
A0			原始版本(INITIAL EDITION)	2020.12.15	LIUJUN
A1			外壳脚位孔0.85*1.8改成0.70*1.5; 内壳脚位孔0.80*2.0改成0.70*1.9; 内壳后脚位孔0.70*1.9改成0.70*1.8	2023.7.15	WILL



Pin 定义:

A1	A2	A3	A4	A5	A6	A7	A8	A9	A10	A11	A12
GND	TX1+	TX1-	Vbus	CC1	D+	D-	SBU1	Vbus	RX2-	RX2+	GND
GND	RX1+	RX1-	Vbus	SBU2	D-	D+	CC2	Vbus	TX2-	TX2+	GND
B12	B11	B10	B9	B8	B7	B6	B5	B4	B3	B2	B1

SECTION A-A (剖视图A-A)
SCALE 2:1 (比例 2:1)



ITEM	DESCRIPTION	Q'TY	MATERIAL	FINISH	REMARK
6	OUT SHELL	1	SUS304	30U" NICKEL PLATING	0.25mm
5	INT SHELL	1	SUS304	30U" NICKEL PLATING	0.3mm
4	MAIN HOUSING	1	HIGH TEMPERATURE	PA9T BLACK	UL94V-0
3	MID PLATE	1	SUS301	RINSE	0.15mm
2	BOTTOM TERMINAL	1	COPPER ALLOY		0.12mm
1	TOP TERMINAL	1	COPPER ALLOY		0.12mm
				MATING SIDE:SEE PART NO; SOLDER TAIL:GOLD FLASH, 50U" NICKEL OVERALL.	

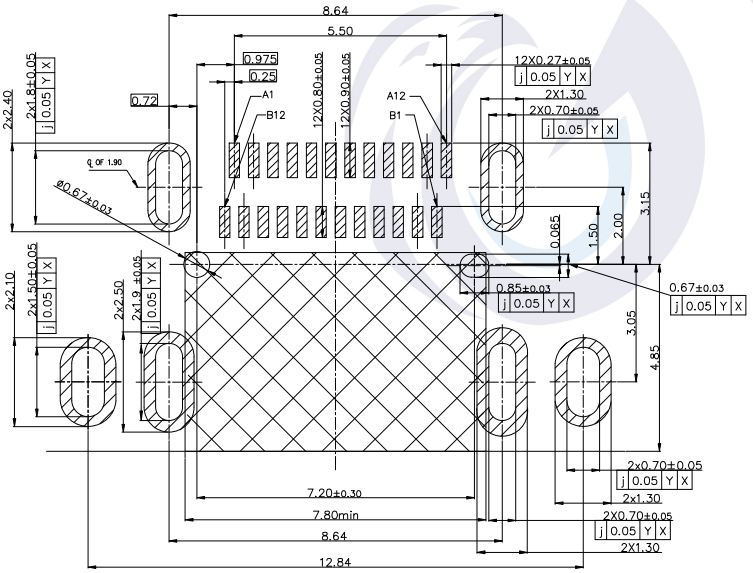
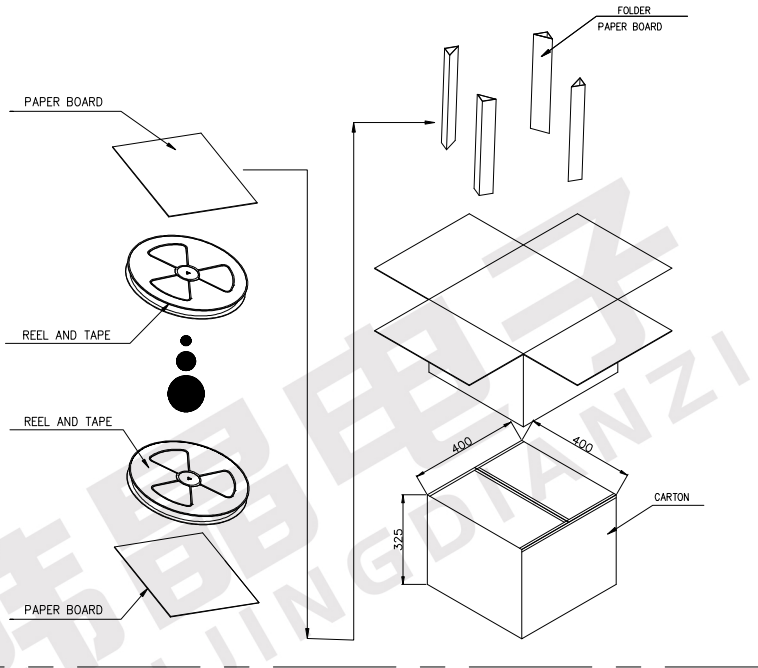
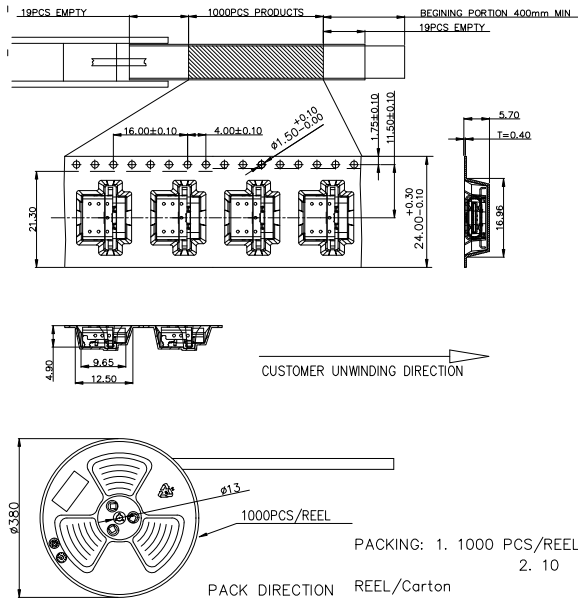
韩晶电子
HANJINGDIANZI

东莞市韩晶电子有限公司

TOLERANCE: X. X.X ±0.30 X.XX ±0.25 X.XXX ±0.15 X.* ±1" X.X" ±0.5"	DESIGN BY:	DATE:	PART NAME:
	LIUJUN	2020.12.15	USB4 Type C 母座有后盖 双壳双贴 SMT 板上平贴,CH=1.57, L=9.17mm
	CHECKED BY:	DATE:	PART NO.
	WILL	2023.7.15	126-F243223 * - B90
	APPROVED BY:	DATE:	MOLD NO.
			DRAW NO.
UNIT: mm			SHEET NO.
SCALE: 1:1	SIZE: A4		01 OF 02

GP Component

REV.	ECN NO.	LOCATIONS	DESCRIPTION	DATE	DESIGN
A0			原始版本(INITIAL EDITION)	2020.12.15	LIUJUN
A1			外壳脚长0.85*1.8改成0.70*1.5; 内壳脚长0.80*2.0改成0.70*1.9; 内壳后脚长0.70*1.9改成0.70*1.8	2023.7.15	WILL



Recommended PCB Layout(Top View)/推荐PCB布局(顶视图)
General Tolerances: ±0.05/-最大差 ±0.05

- NOTES/注释:
- MATERIAL/材料: SEE TABLE/见下表
 - GENERAL SPECIFICATION/通用特性:
 - COPLANARITY/共面度: 0.10 Max.
 - CURRENT RATING: 5A / 额定电流: 5安培
 - CONTACT RESISTANCE: 40mΩ MAX (INITIAL). INSULATION RESISTANCE: 100MΩ Min
接触电阻: 40毫欧最大(初始值) / 绝缘电阻: 100MΩ Min
 - DIELECTRIC WITHSTANDING VOLTAGE: 100 VAC
耐压: 100伏交流
 - MECHANICAL CHARACTERISTICS:
INSERTION FORCE: 5~20N EXTRACTION FORCE: 8~20N
AFTER DURABILITY EXTRACTION FORCE: 6~20N
力学特性: 初始插入力: 5~20N 拔出力: 8~20N
耐久后拔出力: 6~20N

PART NO. 126-F243223 * - B90

- H= 镀金1u"
- J= 镀金3u"
- K= 镀金5u"
- M= 镀金15u"
- N= 镀金30u"

东莞市韩晶电子有限公司

TOLERANCE: X. ±0.30 X.X ±0.25 X.XX ±0.15 X.XXX ±0.10 X.* ±1* X.X* ±0.5*	DESIGN BY :	DATE :	PART NAME: USB4 Type C 母座有后盖 双壳双贴 SMT 板上平贴, CH=1.57, L=9.17mm
	LIUJUN	2020.12.15	
UNIT: mm 	CHECKED BY:	DATE :	PART NO. 126-F243223 * - B90
	APPROVED BY:	DATE :	MOLD NO.
SCALE: 1:1 SIZE: A4			DRAW NO.
			SHEET NO. 02 OF 02