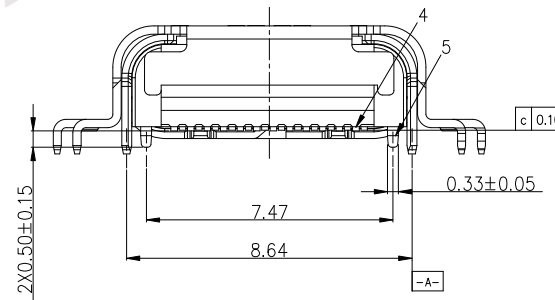
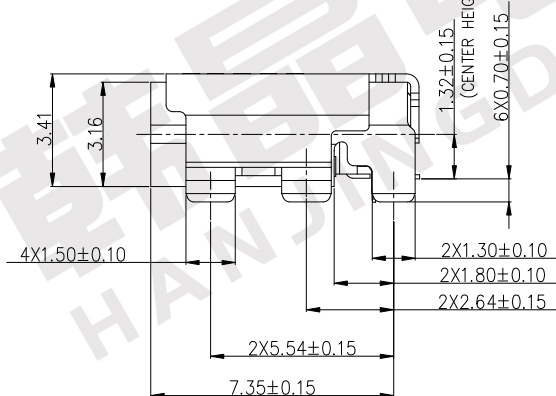
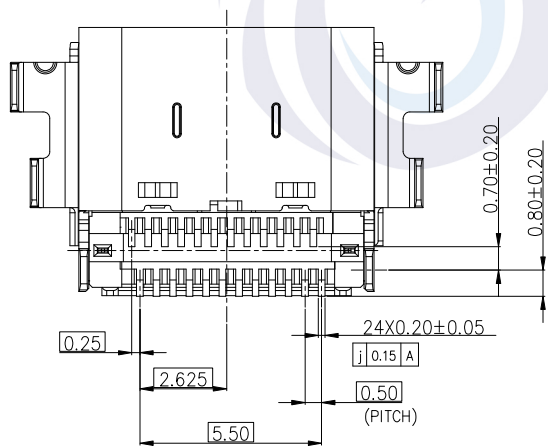
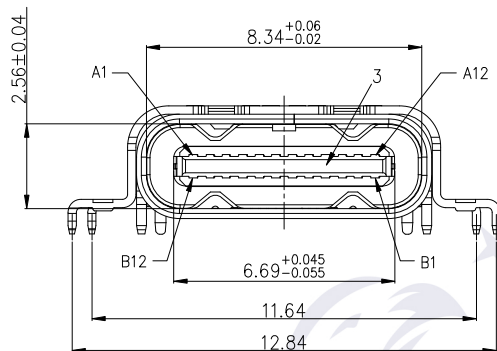
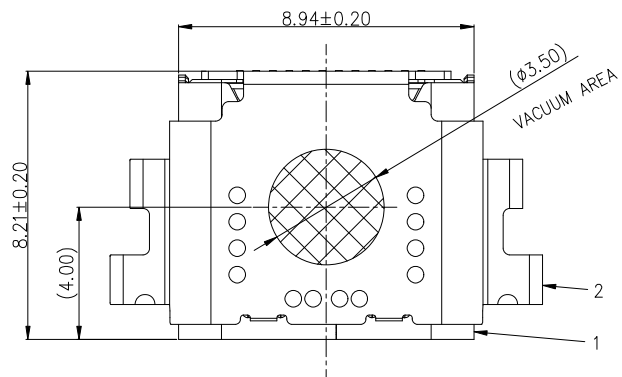


REV.	ECN NO.	LOCATIONS	DESCRIPTION	DATE	DESIGN
AO			原始版本(INITIAL EDITION)	2020.12.15	LIUJUN



NOTE/注释:

1. SPECIFICATION/规格:

- 1.1 Rated current (额定电流): 5.0 A
- 1.2 Voltage rating (额定电压): 5V AC
- 1.3 Contact Resistance (接触阻抗): 40 m Ω Max.
- 1.4 Insulation Resistance (绝缘阻抗): 100MΩ Min.
- 1.5 Withstanding voltage (耐电压): 100 VAC/minute
- 1.6 Mating force (插入力): 5~20N .
- 1.7 Unmating force (拔出力): 8~20N.
- 1.8 Durability Cycle(寿命循环): 10,000 cycle
- 1.9 Operating temperature (工作温度): -40°~+85°

PART NO.
126-F243223 * - B85

- H=镀金1u"
- J=镀金3u"
- K=镀金5u"
- M=镀金15u"
- N=镀金30u"

PIN ASSIGNMENT

A1	A2	A3	A4	A5	A6	A7	A8	A9	A10	A11	A12
GND	TX1+	TX1-	Vbus	CC1	D+	D-	SBU1	Vbus	RX2-	RX2+	GND
GND	RX1+	RX1-	Vbus	SBU2	D-	D+	CC2	Vbus	TX2-	TX2+	GND
B12	B11	B10	B9	B8	B7	B6	B5	B4	B3	B2	B1

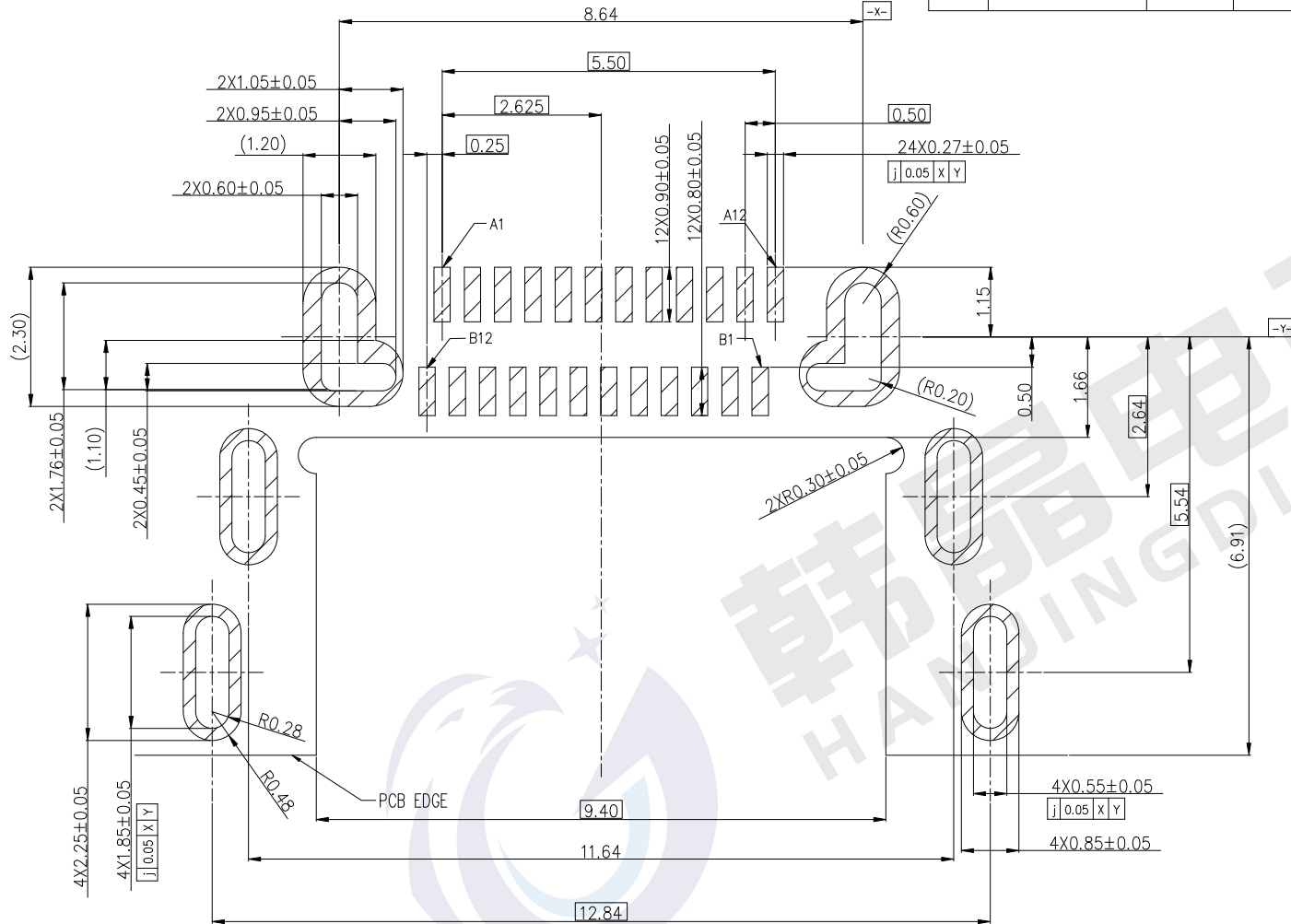


东莞市韩晶电子有限公司

TOLERANCE: X. ±0.30 X.X ±0.25 X.XX ±0.20 X.XXX ±0.15 X.* ±1* X.X* ±0.5*	DESIGN BY : LIUJUN	DATE : 2020.12.15	PART NAME: USB3.2 Type C 母座 有后盖 及壳 双贴SMT有DIP脚 CH=1.32, L=8.21
CHECKED BY:	DATE :	PART NO. 126-F243223 * - B85	
APPROVED BY:	DATE :	MOLD NO.	
UNIT: mm [inch]	DRAW NO.		
SCALE: 1:1 SIZE: A4	SHEET NO. 01 OF 02		

GP Component

REV.	ECN NO.	LOCATIONS	DESCRIPTION	DATE	DESIGN
AO			原始版本(INITIAL EDITION)	2020.02.15	LIUJUN



ITEM	DESCRIPTION	Q'TY	MATERIAL	FINISH	REMARK
5	MID PLATE	1	SUS301-H	30U* NICKEL PLATING	T=0.15
4	TERMINAL	24	COPPER ALLOY	MATING SIDE: SEE PART NO; SOLDER TAIL: Gold FLASH, 50u" NICKEL OVERALL.	T=0.12
3	MAIN HOUSING		HIGH TEMPERATURE	PA9T BLACK	UL94V-0
2	OUT SHELL	1	STAINLESS STEEL	30U* NICKEL PLATING	T=0.25
1	MAIN SHELL	1	STAINLESS STEEL	30U* NICKEL PLATING	T=0.30

BILL OF MATERIAL

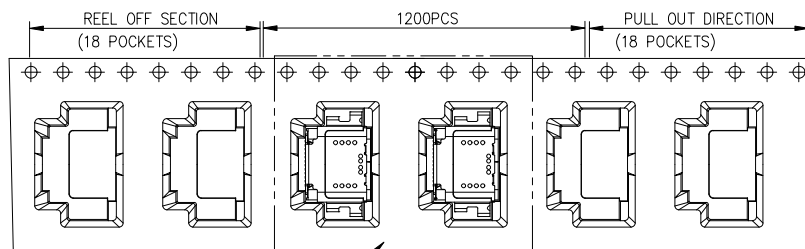


东莞市韩晶电子有限公司

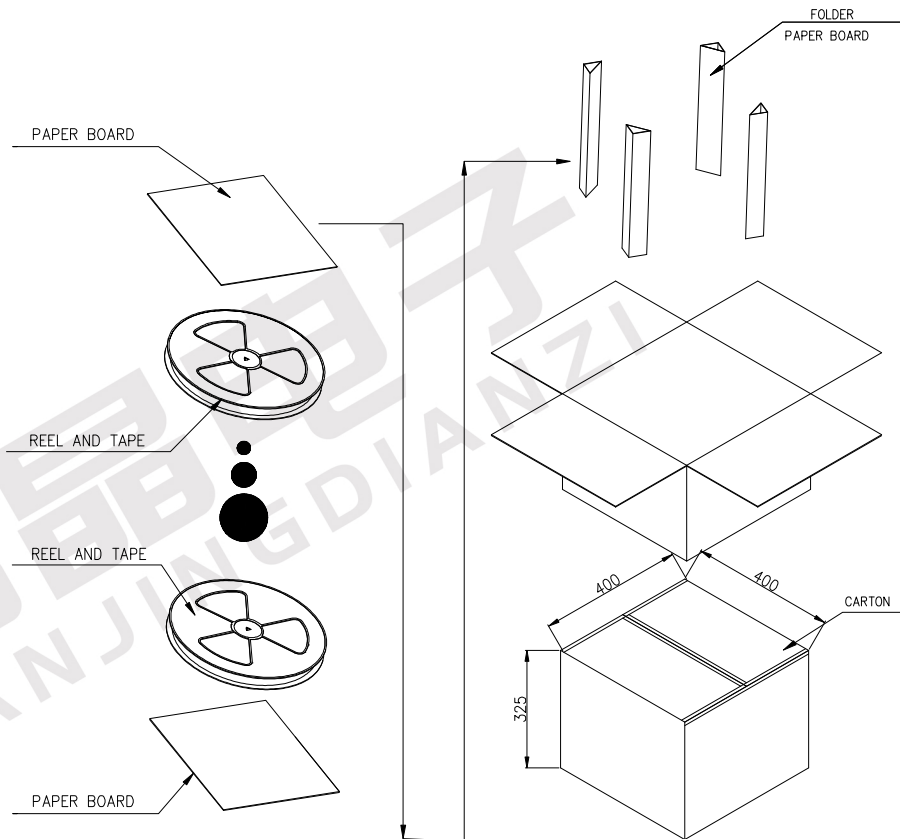
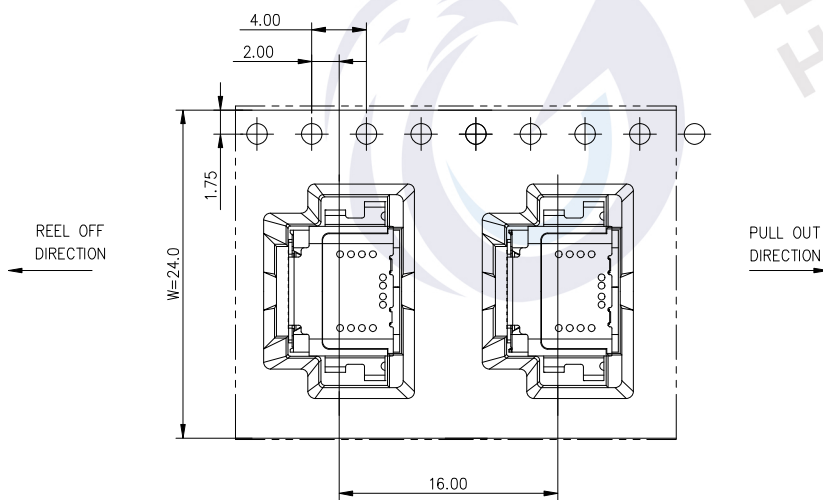
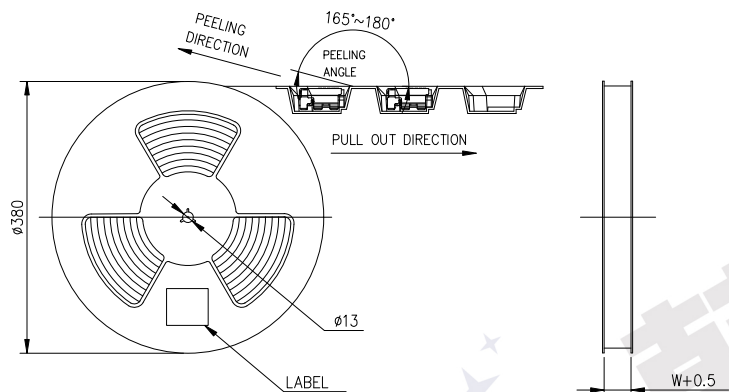
TOLERANCE: X. ±0.30 X.X ±0.25 X.XX ±0.20 X.XXX ±0.15 X." ±1" X.X" ±0.5"	DESIGN BY : LIUJUN	DATE : 2020.12.15	PART NAME: USB3.2 Type C 母座 有后盖 双壳 双贴SMT有DIP脚 CH=1.32, L=8.21
CHECKED BY:	DATE :	PART NO. 126-F243223 * - B85	MOLD NO.
APPROVED BY:	DATE :	DRAW NO.	SHEET NO. 02 OF 02
UNIT: mm [inch]	SCALE: 1:1	SIZE: A4	

GP Component

REV.	ECN NO.	LOCATIONS	DESCRIPTION	DATE	DESIGN
A0			原始版本(INITIAL EDITION)	2020.12.15	LIUJUN



SEE DETAIL X



	REEL	CARTON
CONNECTOR (PCS)	1200	12000



东莞市韩晶电子有限公司

<p>TOLERANCE:</p> <p>X. ±0.25</p> <p>X.X ±0.20</p> <p>X.XX ±0.15</p> <p>X.XXX ±0.10</p> <p>X.* ±1* X.X* ±0.5*</p>	DESIGN BY :	DATE :	PART NAME:	
	LIUJUN	2020.12.15	USB3.2 Type C 母座 有屏蔽 双壳 双贴 SMT和DIP脚 CH=1.32, L=8.21 包胶规格	
<p>UNIT: mm [inch]</p> <p>SCALE: 1:1 SIZE: A4</p>	CHECKED BY:	DATE :	PART NO.	126-F243223 * - B85
	APPROVED BY:	DATE :	MOLD NO.	
			DRAW NO.	
			SHEET NO.	01 OF 01