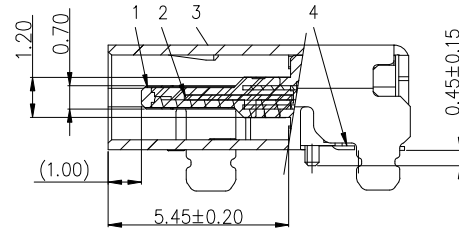
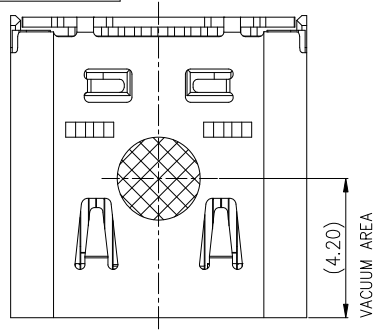


GP Component

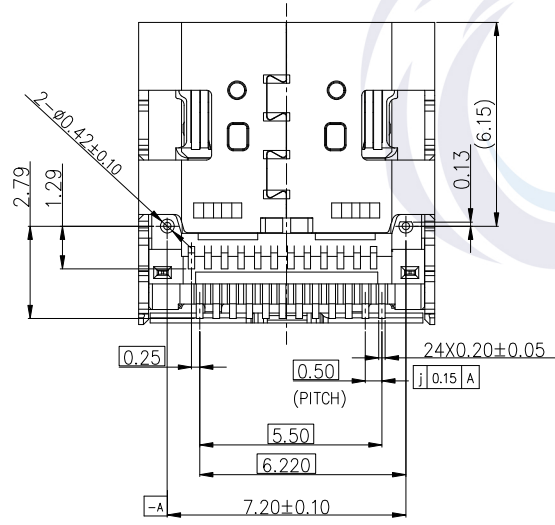
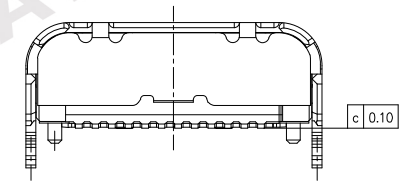
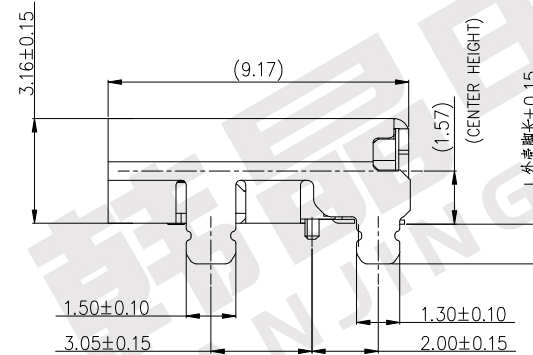
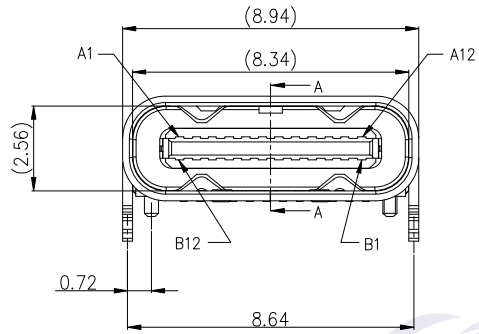
REV.	ECN NO.	LOCATIONS	DESCRIPTION	DATE	DESIGN
A0			原始版本(INITIAL EDITION)	2020.12.15	LIUJUN
A1			增加产品ABC三款型号	2023.08.24	WILL



NOTE/注释:

1. SPECIFICATION/规格:

- 1.1 Rated current (额定电流): 5.0 A
- 1.2 Voltage rating (额定电压): 5V AC
- 1.3 Contact Resistance (接触阻抗): 40 m Ω Max.
- 1.4 Insulation Resistance (绝缘阻抗): 100MΩ Min.
- 1.5 Withstanding voltage (耐电压): 100 VAC/minute
- 1.6 Mating force (插入力): 5~20N .
- 1.7 Unmating force (拔出力): 8~20N.
- 1.8 Durability Cycle(寿命循环): 10,000 cycle
- 1.9 Operating temperature (工作温度): -40~+85°



PART NO.
126-F243223 * - B82 (-A/B/C)

- H= 镀金1u"
- J= 镀金3u"
- K= 镀金5u"
- M= 镀金15u"
- N= 镀金30u"

PIN ASSIGNMENT:

A1	A2	A3	A4	A5	A6	A7	A8	A9	A10	A11	A12
GND	TX1+	TX1-	Vbus	CC1	D+	D-	SBU1	Vbus	RX2-	RX2+	GND
GND	RX1+	RX1-	Vbus	SBU2	D-	D+	CC2	Vbus	TX2-	TX2+	GND
B12	B11	B10	B9	B8	B7	B6	B5	B4	B3	B2	B1

126-F243223 * - B82-C	1.60	P-B1224-013
126-F243223 * - B82-B	1.20	P-B1224-002
126-F243223 * - B82-A	0.90	P-B1224-002
126-F243223 * - B82	0.60	P-B1224-002
成品料号	外壳脚长	包装载带料号

东莞市韩晶电子有限公司

DATE : 2020.12.15

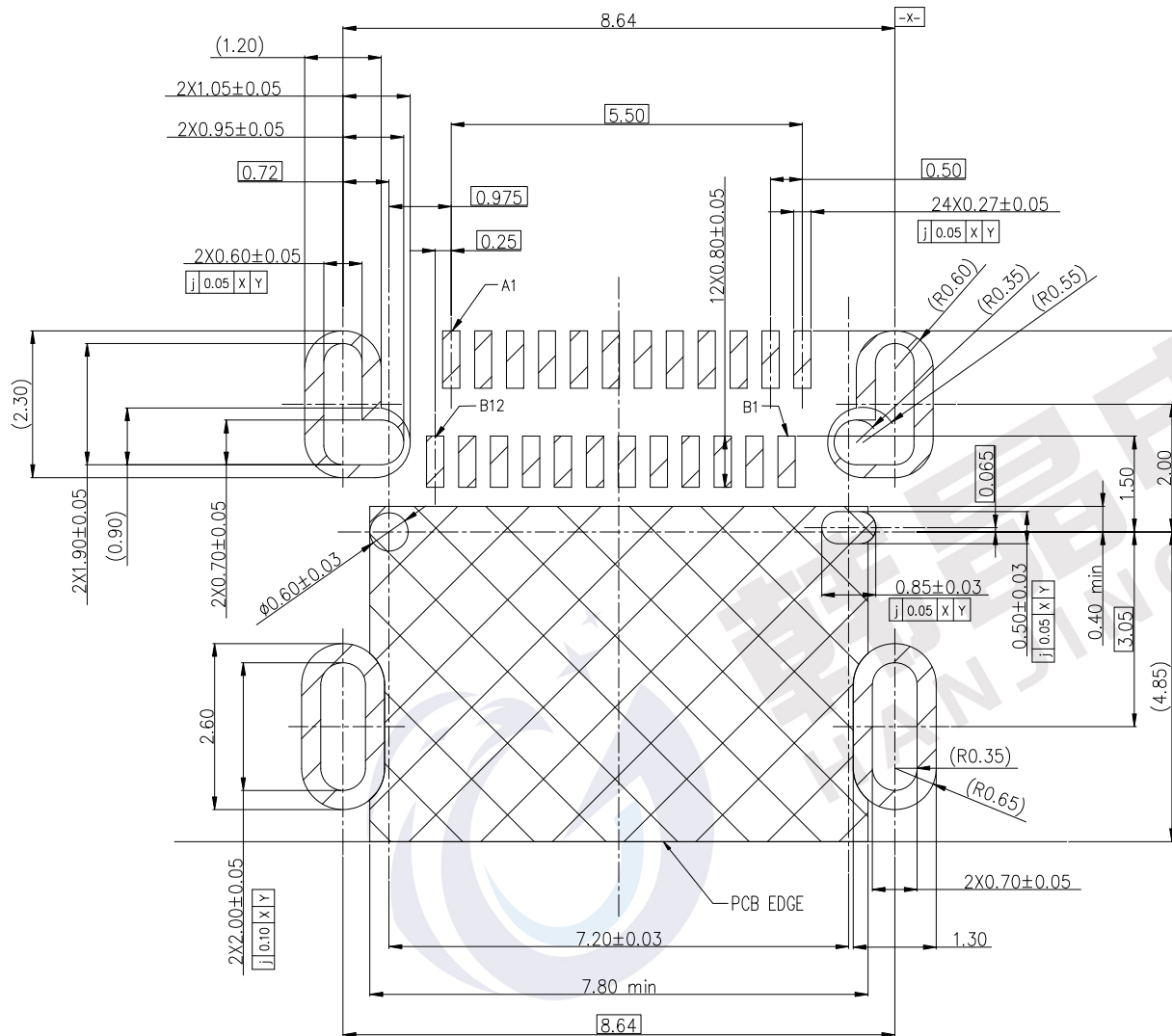
DATE : 2023.8.24

DATE :

<p>TOLERANCE:</p> <p>X. ±0.30</p> <p>X.X ±0.25</p> <p>X.XX ±0.20</p> <p>X.XXX ±0.15</p> <p>X.* ±1" X.X*" ±0.5"</p>	DESIGN BY :	DATE :	PART NAME:
	LIUJUN	2020.12.15	USB4 Type C 母座 有后盖 单壳 双贴SMT 板上CH=1.57 L=9.17
	CHECKED BY:	DATE :	PART NO.
	WILL	2023.8.24	126-F243223 * - B82
	APPROVED BY:	DATE :	MOLD NO.
UNIT: mm [inch]			DRAW NO.
SCALE: 1:1	SIZE: A4		SHEET NO.
			01 OF 03

GP Component

REV.	ECN NO.	LOCATIONS	DESCRIPTION	DATE	DESIGN
A0			原始版本(INITIAL EDITION)	2020.12.15	LIUJUN
A1			增加产品ABC三款型号	2023.08.24	WILL



ITEM	DESCRIPTION	Q'TY	MATERIAL	FINISH	REMARK
4	TERMINAL	24	COPPER ALLOY XYK-40(C18140)	MATING SIDE:SEE PART NO; SOLDER TAIL:Gold FLASH, 50u" NICKEL OVERALL.	T=0.12
3	SHELL	1	SUS304	30U" NICKEL PLATING	T=0.30
2	MID PLATE	1	SUS301-H	RINSE	T=0.15
1	MAIN HOUSING	1	HIGH TEMPERATURE	PA 9T BLACK UL94V-0	UL94V-0
BILL OF MATERIAL					



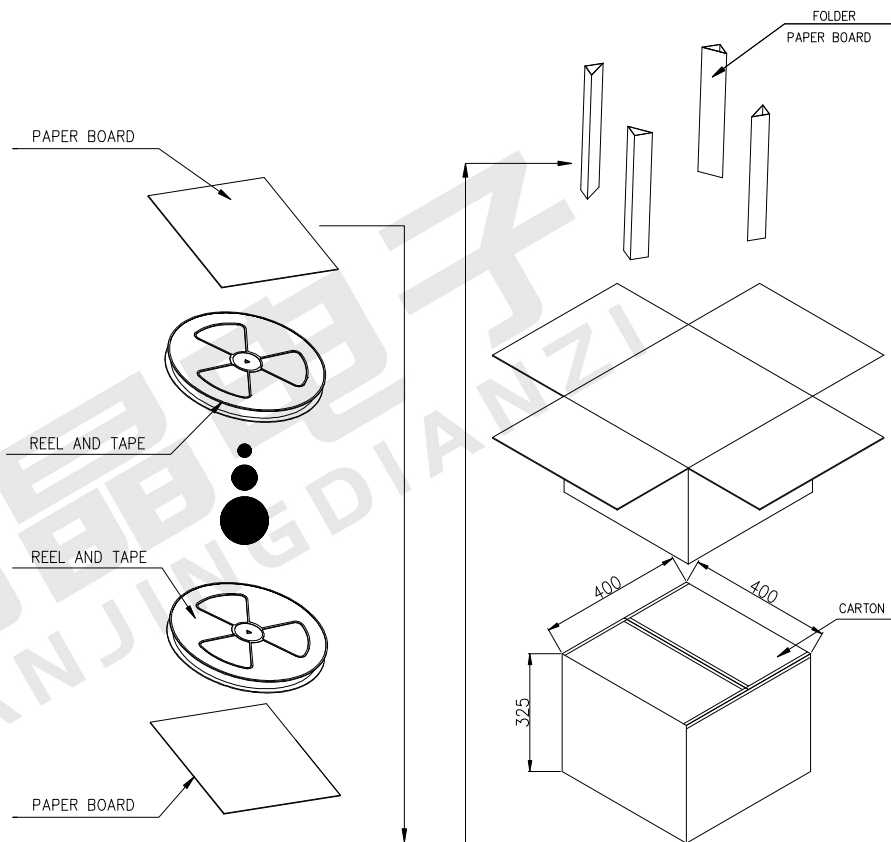
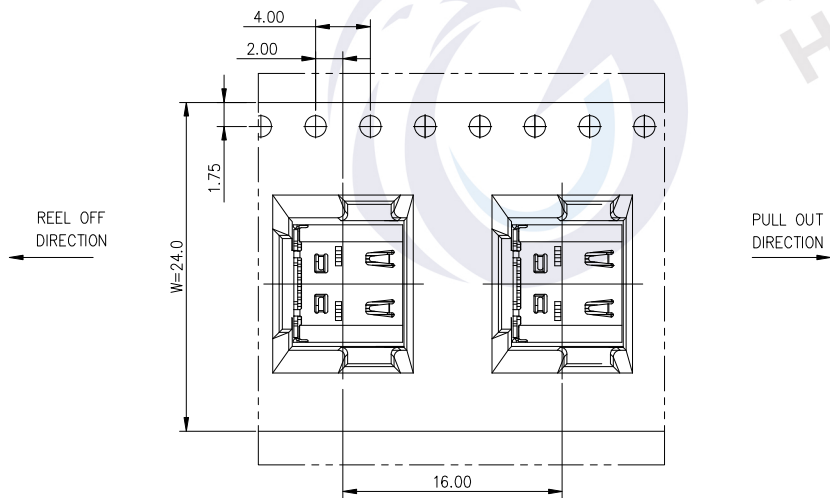
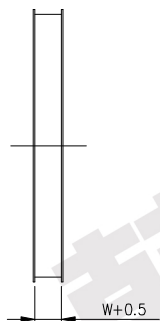
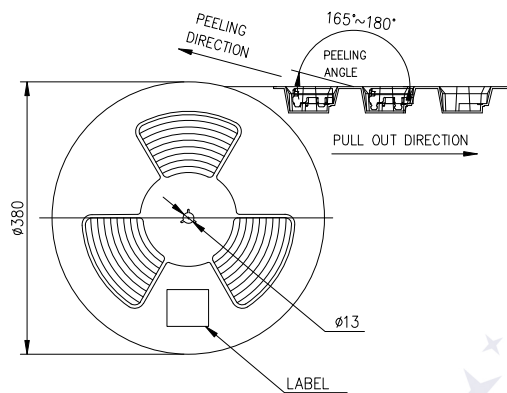
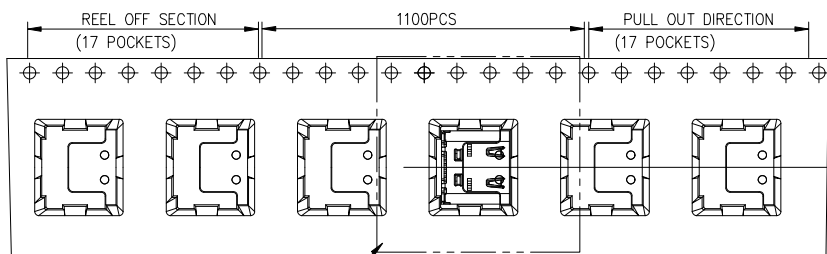
东莞市韩晶电子有限公司

东莞市韩晶电子有限公司

TOLERANCE: X. ±0.30 X.X ±0.25 X.XX ±0.20 X.XXX ±0.15 X.* ±1" X.X*" ±0.5"	DESIGN BY : LIUJUN	DATE : 2020.12.15	PART NAME: USB4 Type C 母座 有后盖 单壳 双贴SMT 板上CH=1.57 L=9.17
UNIT: mm [inch]	CHECKED BY: WILL	DATE : 2023.8.24	PART NO. 126-F243223 * - B82
SCALE:1:1 SIZE:A4	APPROVED BY:	DATE :	MOLD NO.
			DRAW NO.
			SHEET NO. 02 OF 03

GP Component

REV.	ECN NO.	LOCATIONS	DESCRIPTION	DATE	DESIGN
A0			原始版本(INITIAL EDITION)	2020.12.15	LIUJUN
A1			增加产品ABC三款型号	2023.08.24	WILL



	REEL	CARTON
CONNECTOR (PCS)	1100	11000



东莞市韩晶电子有限公司

TOLERANCE: X. ±0.25 X.X ±0.20 X.XX ±0.15 X.XXX ±0.10 X." ±1" X.X" ±0.5"	DESIGN BY :	DATE :	PART NAME:
	LIUJUN	2020.12.15	USB4 Type C 母座 双贴SMT 板上,CH=1.57 L=9.17 包装规范
 UNIT: mm [inch] SCALE: 1:1 SIZE: A4	CHECKED BY:	DATE :	PART NO.
	WILL	2023.8.24	126-F243223 * - B82
	APPROVED BY:	DATE :	MOLD NO.
			DRAW NO.
			SHEET NO.
			03 OF 03