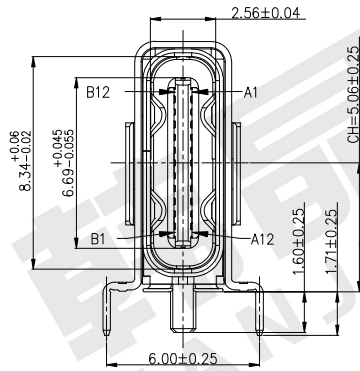
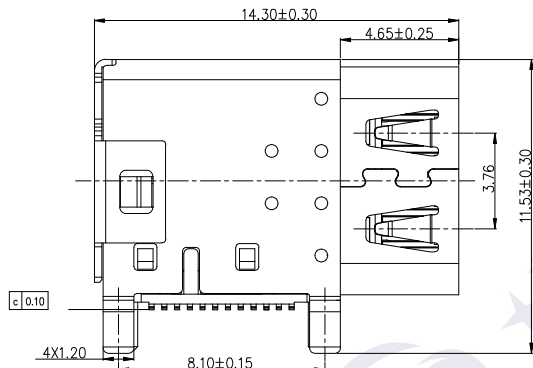
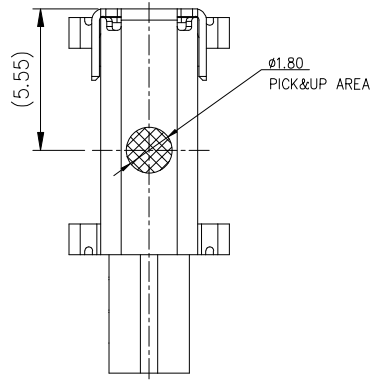
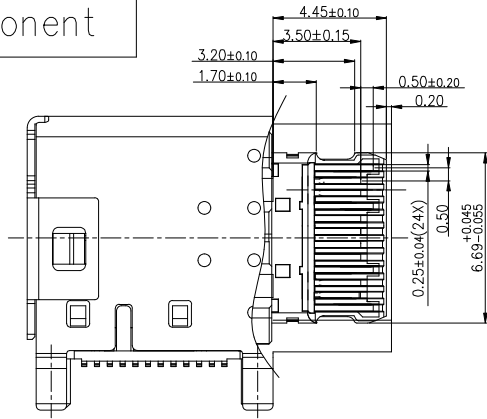


# GP Component

REV.	ECN NO.	LOCATIONS	DESCRIPTION	DATE	DESIGN
A0			原始版本(INITIAL EDITION)	2021.11.07	LIUCHUN
A1			注明材料牌号及电镀膜厚	2023.5.6	WILL



### PIN ASSIGNMENT

A1	A2	A3	A4	A5	A6	A7	A8	A9	A10	A11	A12
GND	TX1+	TX1-	Vbus	CC1	D+	D-	SBU1	Vbus	RX2-	RX2+	GND
B12	B11	B10	B9	B8	B7	B6	B5	B4	B3	B2	B1
GND	RX1+	RX1-	Vbus	SBU2	D-	D+	CC2	Vbus	TX2-	TX2+	GND

### SEE TABLE 1:

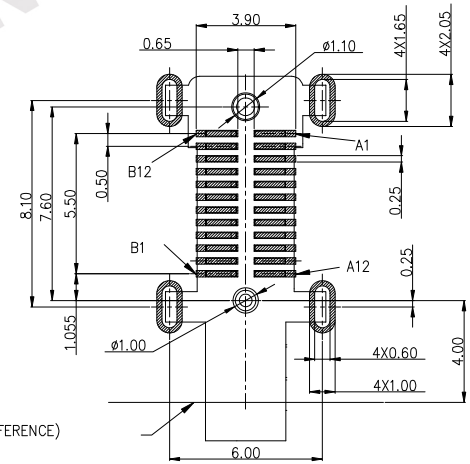
ITEM	PART NO	FINISH
5	126-F2432236 - B100	MATING SIDE: Au 30μ" PLATING ; SOLDER TAIL:Gold FLASH, 50μ" NICKEL OVERALL.
4	126-F2432235 - B100	MATING SIDE: Au 15μ" PLATING ; SOLDER TAIL:Gold FLASH, 50μ" NICKEL OVERALL.
3	126-F2432233 - B100	MATING SIDE: Au 5μ" PLATING ; SOLDER TAIL:Gold FLASH, 50μ" NICKEL OVERALL.
2	126-F2432231 - B100	MATING SIDE: Au 3μ" PLATING ; SOLDER TAIL:Gold FLASH, 50μ" NICKEL OVERALL.
1	126-F2432230 - B100	MATING SIDE: GOLD FLASH SOLDER TAIL:Gold FLASH, 50μ" NICKEL OVERALL.

ITEM	DESCRIPTION	Q'TY	MATERIAL	FINISH	REMARK
5	TERMINAL	24	COPPER ALLOY (NKE012-EH)	MATING SIDE:SEE TABLE 1 SOLDER TAIL:G/F, 50μ" NICKEL OVERALL.	T=0.12
4	OUT SHELL	1	SUS304	50±20μ" NICKEL PLATING	T=0.30
3	INNER SHELL	1	SUS304	50±20μ" NICKEL PLATING	T=0.30
2	MID PLATE	1	SUS301	30μ" NICKEL PLATING	T=0.15
1	MAIN HOUSING	1	HIGH TEMPERATURE LCP BLACK UL94V-0		

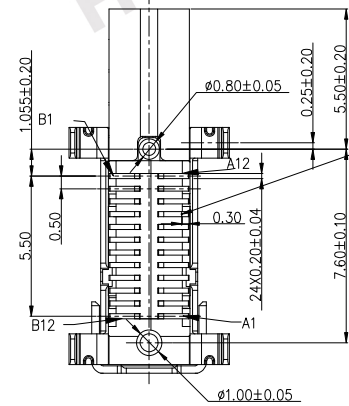
BILL OF MATERIAL

### NOTE/注释:

- SPECIFICATION/规格:
  - Rated current (额定电流): 5.0 A For Vt
  - Voltage rating (额定电压): 5V AC
  - Contact Resistance (接触阻抗): 40 mΩ
  - Insulation Resistance (绝缘阻抗): 100MΩ
  - Withstanding voltage (耐电压): 100 VAC
  - Mating force (插入力): 5~20N .
  - Unmating force (拔出力): 8~20N.
  - Durability Cycle(寿命循环): 10,000 cycle
  - Operating temperature (工作温度): -40~



RECOMMENDED P.C.B LAYOUT  
TOLERANCE ± 0.05mm (TOP VIEW)



焊接区金/F  
测点位置

(PCB EDGE REFERENCE)



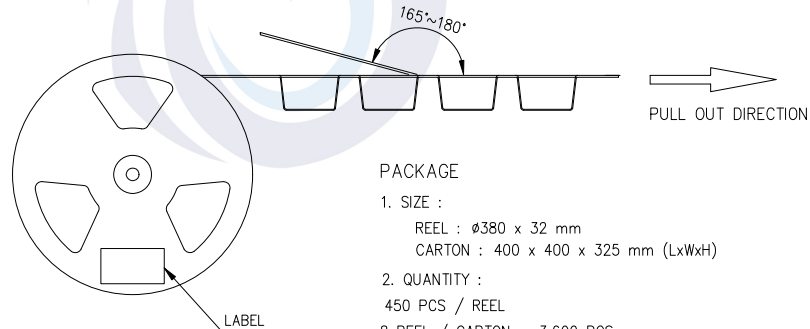
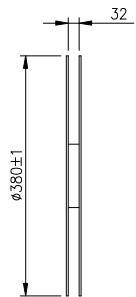
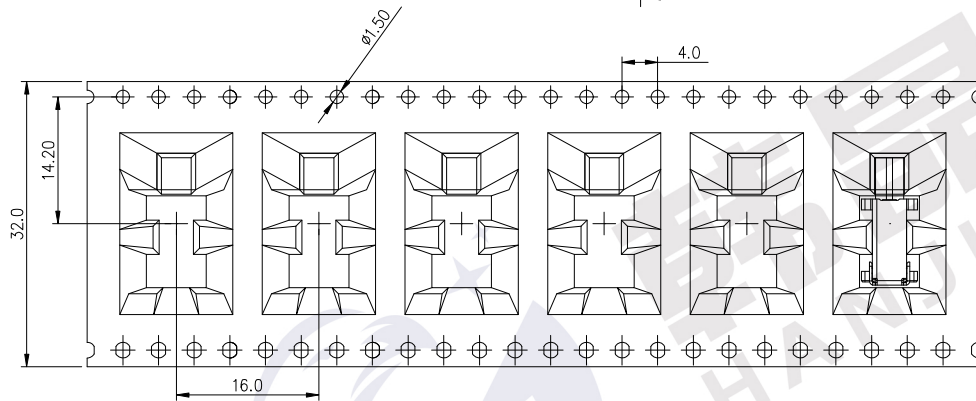
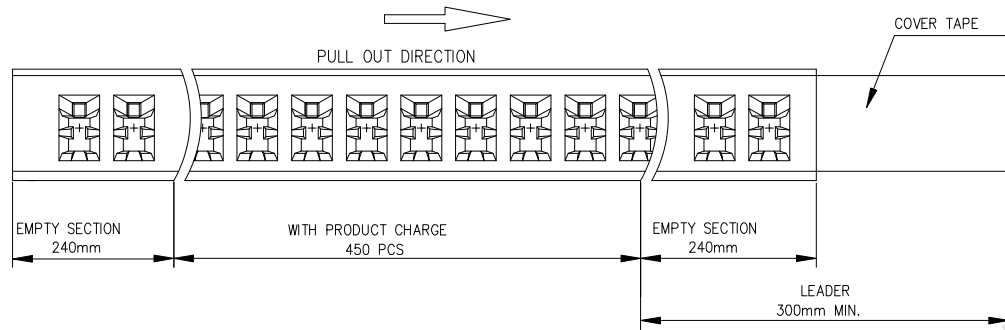
韩晶电子  
HANJING ELECTRONICS

## 东莞市韩晶电子有限公司

TOLERANCE: X. ±0.35 X.X ±0.30 X.XX ±0.25 X.XXX ±0.15 X." ±1" X.X" ±0.5"	DESIGN BY :	DATE :	PART NAME:	
	LIUCHUN	2023.5.6	USB Type C 3.1 母座 侧插双壳24PIN	
 UNIT: mm [inch]	CHECKED BY:	DATE :	PART NO.	126-F243223 * - B100
	WILL	2023.5.6	MOLD NO.	
APPROVED BY:	DATE :	DRAW NO.		
SCALE: 1:1	SIZE: A4	SHEET NO.	01 OF 01	

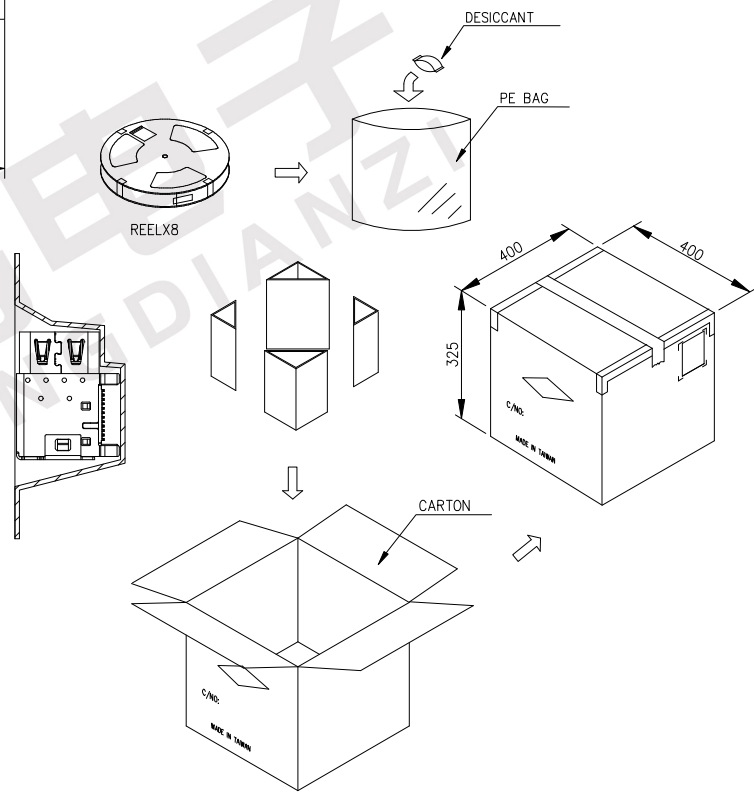
# GP Component

REV.	ECN NO.	LOCATIONS	DESCRIPTION	DATE	DESIGN
AO			原始版本(INITIAL EDITION)	2021.11.7	LIUCHUN



### PACKAGE

1. SIZE :  
 REEL :  $\phi 380 \times 32$  mm  
 CARTON : 400 x 400 x 325 mm (LxWxH)
2. QUANTITY :  
 450 PCS / REEL  
 8 REEL / CARTON = 3,600 PCS



		东莞市韩晶电子有限公司			
		DESIGN BY : LIU CHUN	DATE : 2021.11.7	PART NAME: USB Type C 3.1 侧插母座 双壳SMT包尾	
TOLERANCE: X. ±0.30 X.X ±0.25 X.XXX ±0.15 X.' ±1" X.X" ±0.5"	CHECKED BY:	DATE :	PART NO.	126-F243223 * - B100	
	APPROVED BY:	DATE :	MOLD NO.		
	UNIT: mm [inch]		DRAW NO.		
SCALE: 1:1	SIZE: A4		SHEET NO.	01 OF 01	