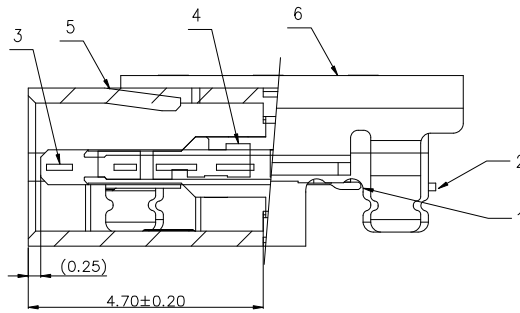
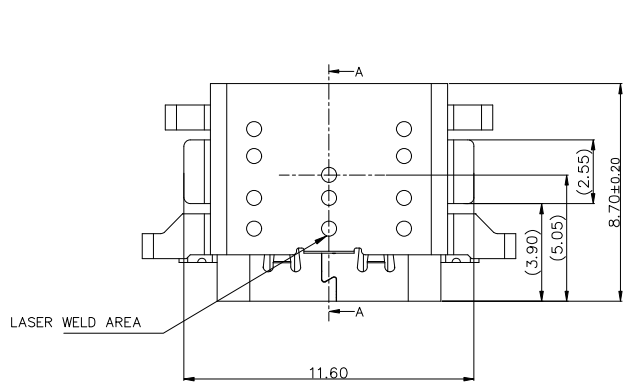


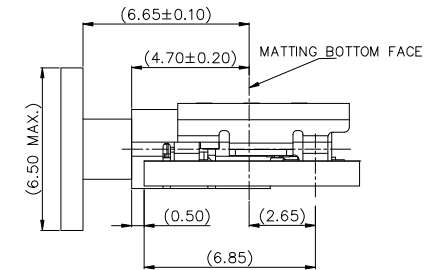
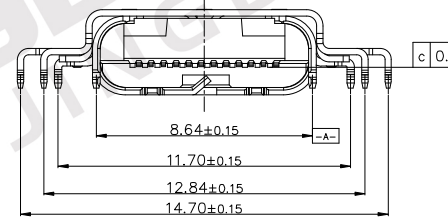
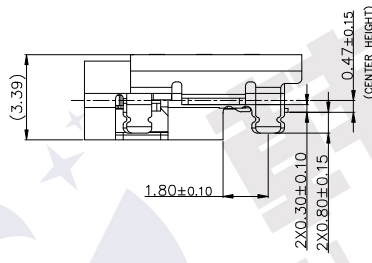
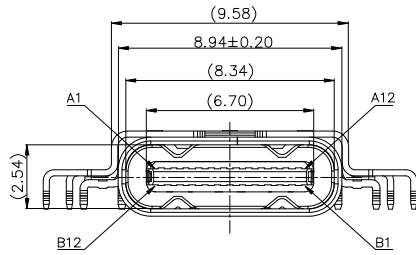
REV.	ECN NO.	LOCATIONS	DESCRIPTION	DATE	DESIGN
A0			原始版本(INITIAL EDITION)	2020.12.15	LIUJUN



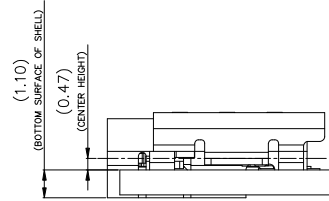
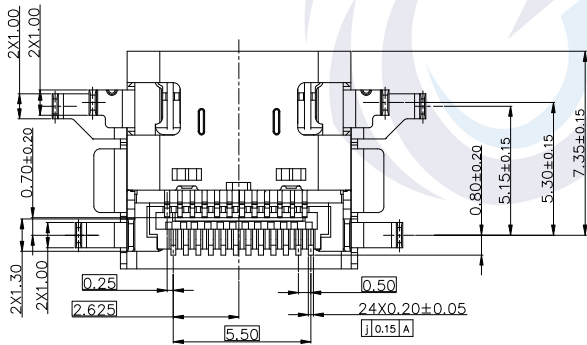
SECTION A-A(前视图A-A)
SCALE 2:1(比例 2:1)

Pin定义:

A1	A2	A3	A4	A5	A6	A7	A8	A9	A10	A11	A12
GND	TX1+	TX1-	Vbus	CC1	D+	D-	SBU1	Vbus	RX2-	RX2+	GND
GND	RX1+	RX1-	Vbus	SBU2	D-	D+	CC2	Vbus	TX2-	TX2+	GND
B12	B11	B10	B9	B8	B7	B6	B5	B4	B3	B2	B1



MATED CONDITION(REF.)



MOUNTING CONDITION(REF.)

ITEM	DESCRIPTION	Q'TY	MATERIAL	FINISH	REMARK
6	OUT SHELL	1	SUS304	30U" NICKEL PLATING	0.25mm
5	INT SHELL	1	SUS304	30U" NICKEL PLATING	0.3mm
4	MAIN HOUSING	1	HIGH TEMPERATURE	PART BLACK	UL94V-0
3	MID PLATE	1	SUS301	RINSE	0.15mm
2	BOTTOM TERMINAL	1	COPPER ALLOY	MATING SIDE: SEE PART NO	0.12mm
1	TOP TERMINAL	1	COPPER ALLOY	SOLDER TAIL: Gold FLASH, 50u" NICKEL OVERALL.	

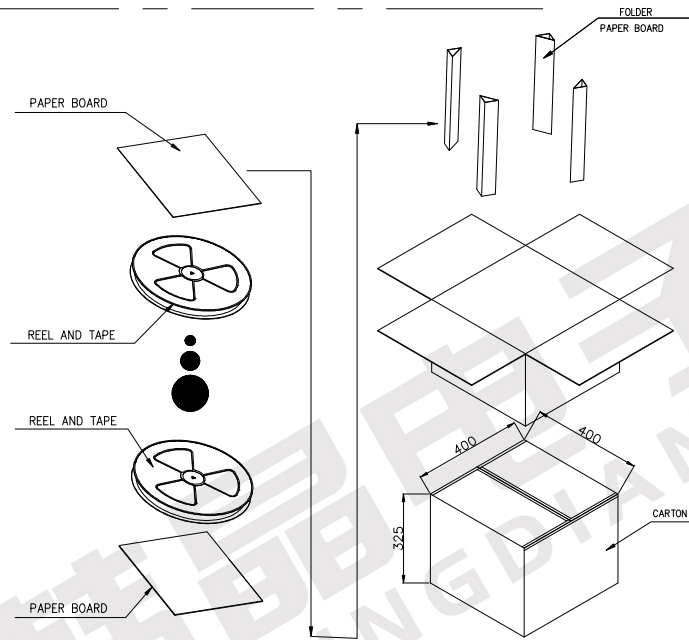
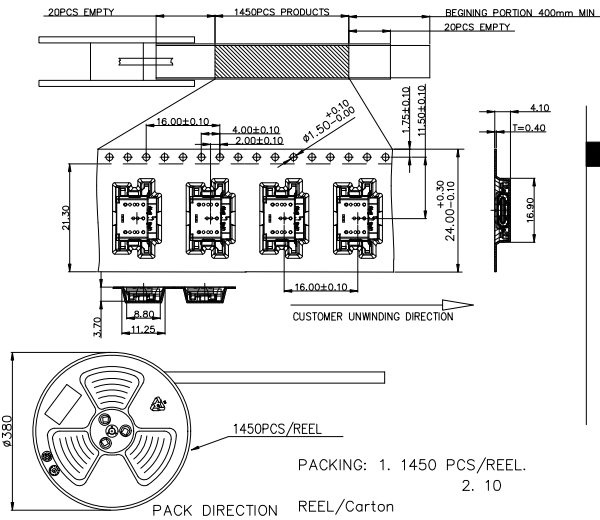


东莞市韩晶电子有限公司

TOLERANCE: X. X.X ±0.30 X.XX ±0.25 X.XXX ±0.15 X." ±1" X.X" ±0.5"	DESIGN BY :	DATE :	PART NAME:	
	LIUJUN	2020.12.15	PART NO.	126-F243223 * - B91
 UNIT: mm [inch]	CHECKED BY:	DATE :	MOLD NO.	
	APPROVED BY:	DATE :	DRAW NO.	
SCALE: 1:1	SIZE: A4		SHEET NO.	01 OF 02

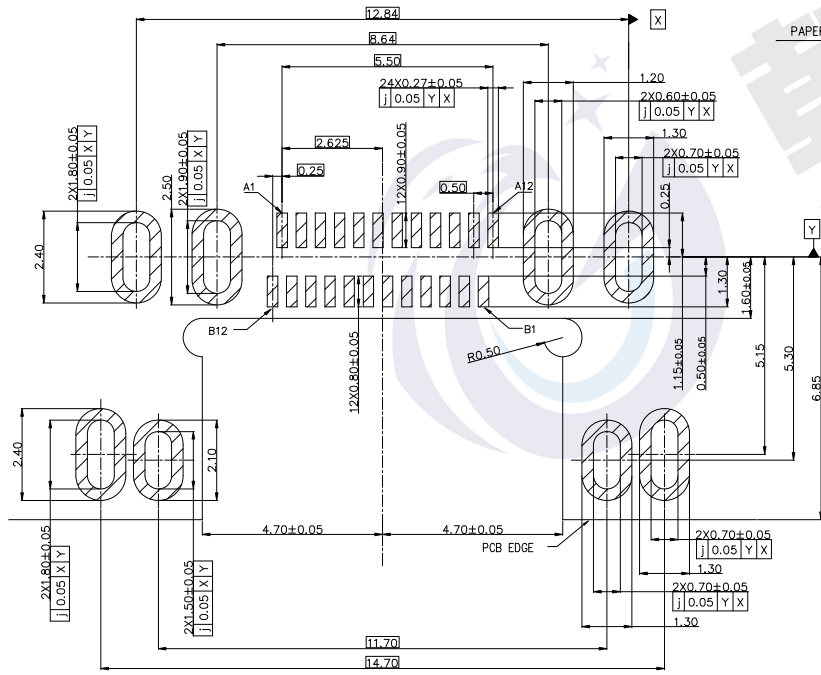
GP Component

REV.	ECN NO.	LOCATIONS	DESCRIPTION	DATE	DESIGN
AO			原始版本(INITIAL EDITION)	2020.12.15	LIUJUN



PART NO.
126-F243223 * - B91

H= 镀金1u"
J= 镀金3u"
K= 镀金5u"
M= 镀金15u"
N= 镀金30u"



NOTES/注释:

- MATERIAL/材料: SEE BILL OF MATERIAL / 见材料清单
- COPLANARITY / 共面度: 0.10 Max.
- As for welding, there are possibilities that the number of welding and position change. 焊接, 也有焊接数量和位置变化的可能性.
- Discoloration might occur at welded area 焊接区域可能出现变色
- Shell length is shorter compare to reference value of USB Type-C standard. Please check mating depth with case(housing) to satisfy mechanical function. 外壳长度比USB Type-C标准的参考值更短, 请检查与外壳的配合深度, 以满足机械功能
- There is possibility that the shell discolors after heating 壳体加热后有变色的可能
- Laser welds may be discolor.also the weld may swell. 激光焊接可能会变色. 焊缝也可能膨胀

东莞市韩晶电子有限公司

TOLERANCE: X. X.X ±0.30 X.XX ±0.25 X.XXX ±0.15 X.* ±1' X.X' ±0.5'	DESIGN BY:	DATE:	PART NAME:
	LIUJUN	2020.12.15	USB4 Type C 母座 无后盖 双壳双贴 SMT CH=0.47, L=8.7壳牌长0.8
UNIT: mm [inch] SCALE: 1:1 SIZE: A4	CHECKED BY:	DATE:	PART NO. 126-F243223 * - B91
	APPROVED BY:	DATE:	MOLD NO.
			DRAW NO.
			SHEET NO. 02 OF 02