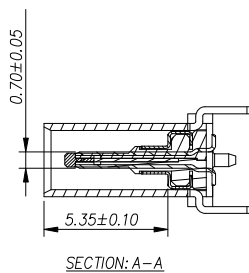
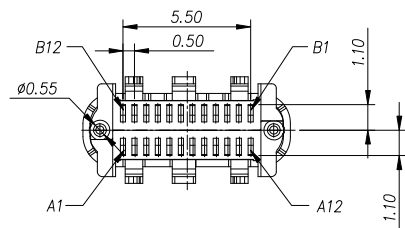
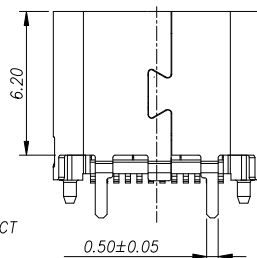
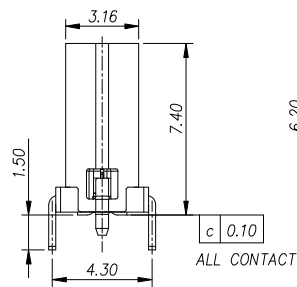
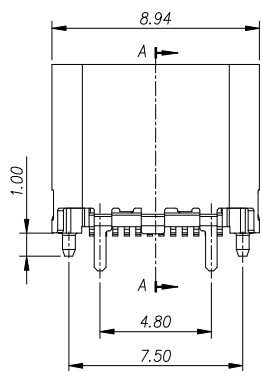
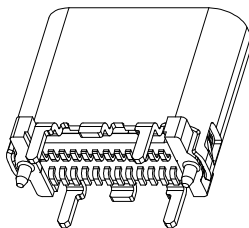
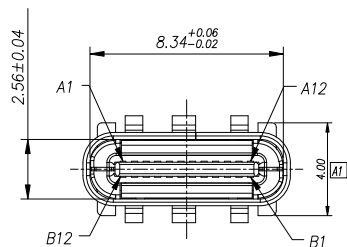


GP Component

REV.	ECN NO.	LOCATIONS	DESCRIPTION	DATE	DESIGN
A0			原始版本 (INITIAL EDITION)	2022.6.14	LIUCHUN



NOTE:

1.MATERIAL SPECIFICATION:

- 1.HOUSING:LCP,UL94 V-0.
- 2.TERMINAL: COPPER ALLOY
- 3.MID PLATE: STAINLESS STEEL
- 4.FRONT SHELL: STAINLESS STEEL
- 5.EMI PLATE: STAINLESS STEEL

2.PLATING SPECIFICATION:

- 2-1.TERMINAL:
 - Ni 50u" MIN. UNDER PLATED OVER ALL.
 - Au PLATED ON THE FUNCTIONAL AREA OF CONTACT.
 - (GOLD PLATING THICKNESS FOLLOW THE P/N)
 - PLATING SPECIFICATIONS OF THE SOLDER AREA FOLLOW THE P/N

2-2.FRONT SHELL:

PLATING SPECIFICATIONS FOLLOW THE P/N

2-3.MID PLATE&EMI PLATE:

CLEAR ONLY

3.MECHANICAL PERFORMANCE,

- 3-1.INSERTION FORCE: 0.5~2.0kgf.
- 3-2.REMOVAL FORCE: 0.8kgf~2.0kgf.
- 3-3.DURABILITY: 10000 CYCLES.

4.ELECTRICAL PERFORMANCE,

- 4-1. VOLTAGE RATING:5 V DC/AC (RMS. max)
CURRENT RATING:5 AMPS. FOR TOTAL VBUS/GND PINS;
1.25AMPS FOR CC PIN,0.25 AMPS. FOR ALL OTHER CONTACT.
- 4-2. LLCR:
VBUS & GND PINS AND OTHER PINS: 40mΩ/PIN MAX.
SHIELD: 50mΩ/MAX.
LLCR MAX. CHANGE OF ALL PINS: 10mΩ.
- 4-3.INSULATION RESISTANCE: 100MΩ MIN
- 4-4.DIELECTRIC WITHSTAND VOLTAGE,AC 100V FOR 1 MINUTE.

5. ENVIRONMENTAL PERFORMANCE:

OPERATING TEMPERATURE: -25°C~+85°C.

6.IR REFLOW:

THE PEAK TEMPERATURE ON THE BOARD SHALL
BE MAINTAINED FOR 10 SECONDS AT 260°C.

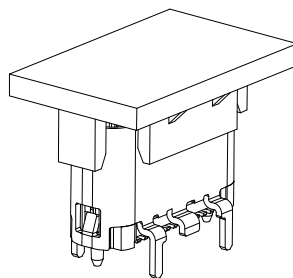
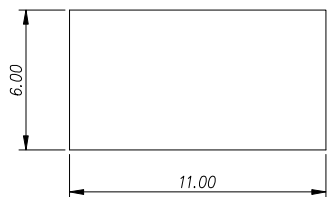


东莞市韩晶电子有限公司

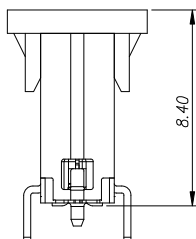
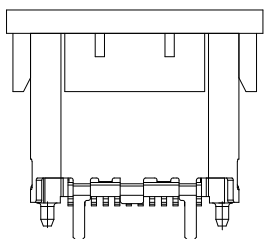
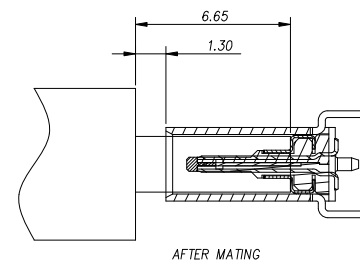
TOLERANCE: X. X.X ±0.30 X.XX ±0.20 X.XXX ±0.10 X." ±10" X.X" ±8" X.XX" ±5"	DESIGN BY :	DATE :	PART NAME: USB TYPE C 垂直24P直立式SMT H=7.4, 外形脚长1.50	
	LIUCHUN	2022.6.14	PART NO.	126-F243223*-B123
	CHECKED BY:	DATE :	MOLD NO.	NA
	APPROVED BY:	DATE :	DRAW NO.	
UNIT: mm	SCALE:1:1	SIZE:A4	SHEET NO.	1 OF 3

GP Component

REV.	ECN NO.	LOCATIONS	DESCRIPTION	DATE	DESIGN
A0			原始版本 (INITIAL EDITION)	2022.6.14	LIUCHUN

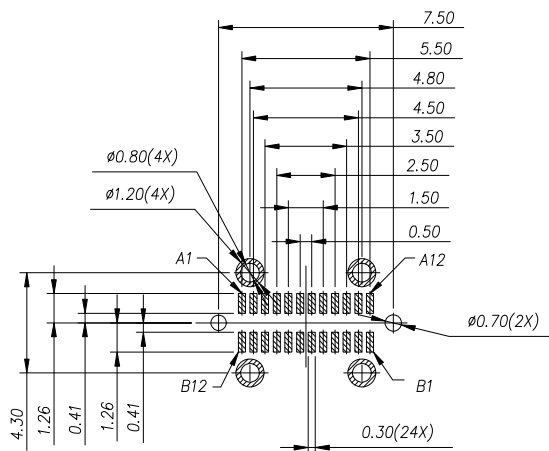


WITH PICK UP COVER



USB TYPE-C PIN ASSIGNMENTS

PIN NUMBER	SIGNAL NAME	PIN NUMBER	SIGNAL NAME
A1	GND	B12	GND
A2	SSTXp1	B11	SSRXp1
A3	SSTXn1	B10	SSRXn1
A4	V _{bus}	B9	V _{bus}
A5	CC1	B8	SBU2
A6	Dp1	B7	Dn2
A7	Dn1	B6	Dp2
A8	SBU1	B5	CC2
A9	V _{bus}	B4	V _{bus}
A10	SSRXn2	B3	SSTXn2
A11	SSRXp2	B2	SSTXp2
A12	GND	B1	GND



RECOMMENDED PCB LAYOUT(TOP VIEW)

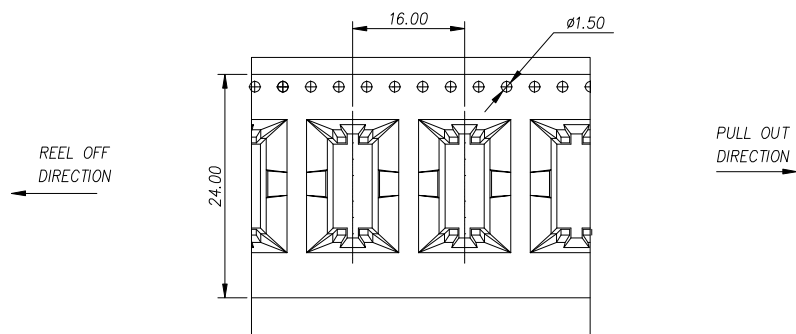
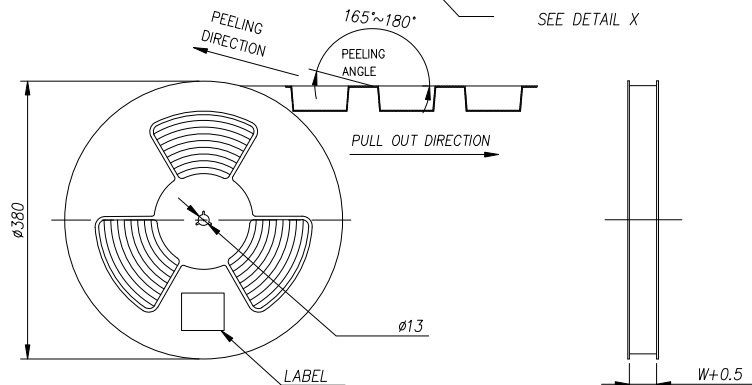
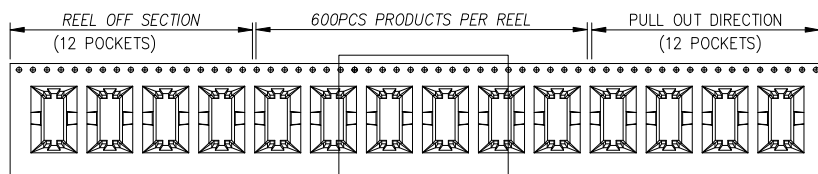
DEFAULT TOLERANCE: ± 0.05


东莞市韩晶电子有限公司

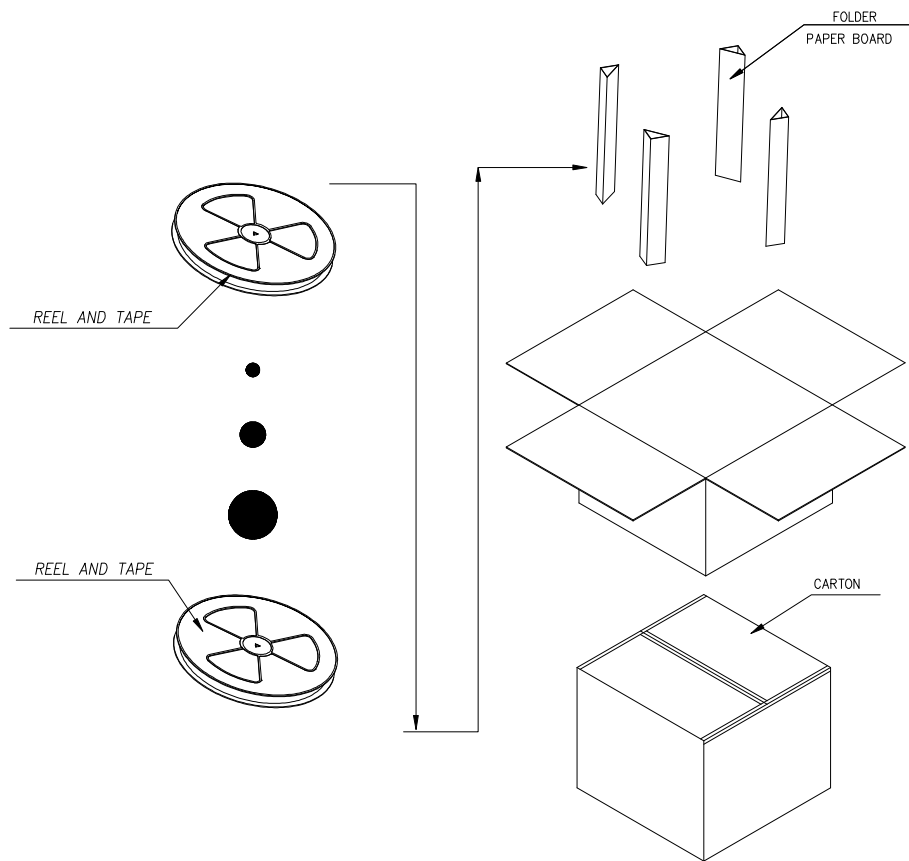
TOLERANCE: X. ±0.30 X.X ±0.20 X.XX ±0.10 X.XXX ±0.10 X.* ±10* X.X* ±8* X.XX* ±5*	DESIGN BY :	DATE :	PART NAME: USB TYPE C 母座24P 直立SMT H=7.4, 外壳厚1.50	
	LIUCHUN	2022.6.14	CHECKED BY:	DATE :
UNIT: mm 	APPROVED BY:	DATE :	PART NO.	126-F243223*-B123
	SCALE: 1:1	SIZE: A4	MOLD NO.	NA
			DRAW NO.	
			SHEET NO.	2 OF 3

GP Component

REV.	ECN NO.	LOCATIONS	DESCRIPTION	DATE	DESIGN
A0			原始版本 (INITIAL EDITION)	2022.6.14	LIUCHUN



DETAIL X
SCALE 2:1



	REEL/TRAY	CARTON
CONNECTOR (PCS)	600	6000



东莞市韩晶电子有限公司

TOLERANCE: X. X.X ±0.30 X.XX ±0.20 X.XXX ±0.10 X.* ±10' X.X' ±8' X.XX' ±5'	DESIGN BY :	DATE :	PART NAME: USB TYPE C 母座24P 直立SMT H=7.4, 外壳厚1.50	
	LIUCHUN	2022.6.14	PART NO.	126-F243223*-B123
 UNIT: mm SCALE: 1:1 SIZE: A4	CHECKED BY:	DATE :	MOLD NO.	NA
	APPROVED BY:	DATE :	DRAW NO.	
			SHEET NO.	3 OF 3